

Project :

Date :

Cat. No. :

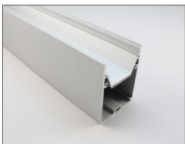
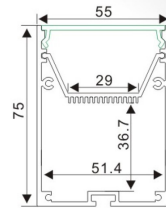
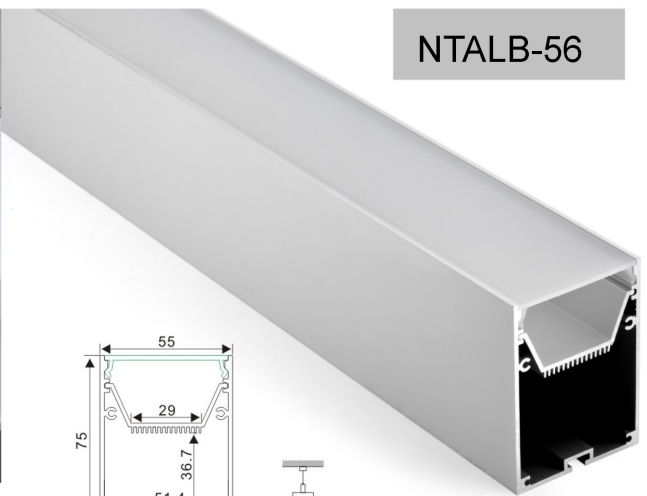
Type :

Notes :

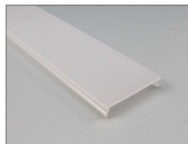
Volts :



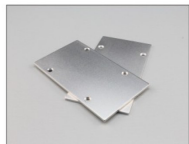
NTALB-56



Aluminum profile



PC Frosted cover



End cap without hole