

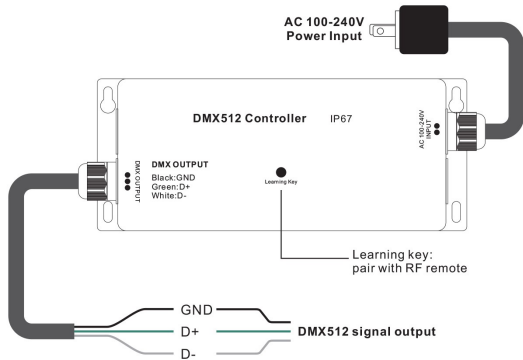
Waterproof RF to DMX512 Controller

09.2817W.04717



Important: Read All Instructions Prior to Installation

Function introduction



Product Data

Input Voltage	Input Current	Output	Size(LxWxH)
AC 100-240V	15mA max.	DMX512 signal	180.5x73.6x38mm

- Standard DMX512 compliant control interface, enable to set the DMX address freely. And show address Via digital numeric display.
- Compatible with RF remote controller :RF+DMX512 function
- Can set different zones
- Radio Frequency : 868mhz
- Waterproof grade: IP67

Safety & Warnings

- DO NOT install with power applied to device.
- This device is IP67 rating and protected against damp environment.

Operation

Do wiring according to connection diagram.

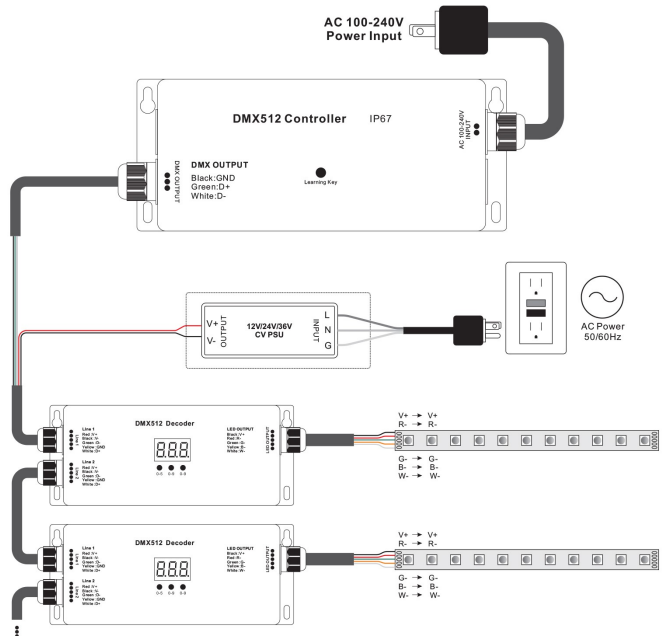
Pair RF Receiver with RF remote:

1. Connect and wire up the DMX controller correctly, power on.
2. Turn on the remote, click the "Learning Key" button on DMX controller, immediately click a zone number to pair the receiver to the specified zone if the remote is a multi-zone controller (if it is a single zone remote, this step is unnecessary), then touch the color wheel or slider bar on the remote (if the remote does not have color wheel or slider bar, click or touch any keys), the connected led light on DMX decoder flickers twice, which means well paired.

Delete the pairing:

1. Wire up the DMX controller correctly, power on.
2. Hold down the " Learning Key" button on DMX controller for over 3 seconds until the connected led light on DMX decoder flickers twice, which means well deleted.

Wiring Diagram



Set DMX Address:

Set DMX decoders' address as follows for multi-zone RF remote or EasyLighting APP:

- DMX decoders with address 001 will be controlled by zone 1,
 - DMX decoders with address 005 will be controlled by zone 2,
 - DMX decoders with address 009 will be controlled by zone 3,
 - DMX decoders with address 013 will be controlled by zone 4,
 - DMX decoders with address 017 will be controlled by zone 5,
 - DMX decoders with address 021 will be controlled by zone 6,
 - DMX decoders with address 025 will be controlled by zone 7,
 - DMX decoders with address 029 will be controlled by zone 8.
- Each zone can pair endless of DMX decoders if you set the address accordingly.