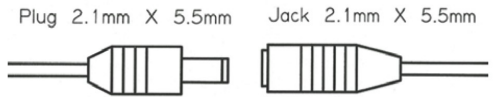

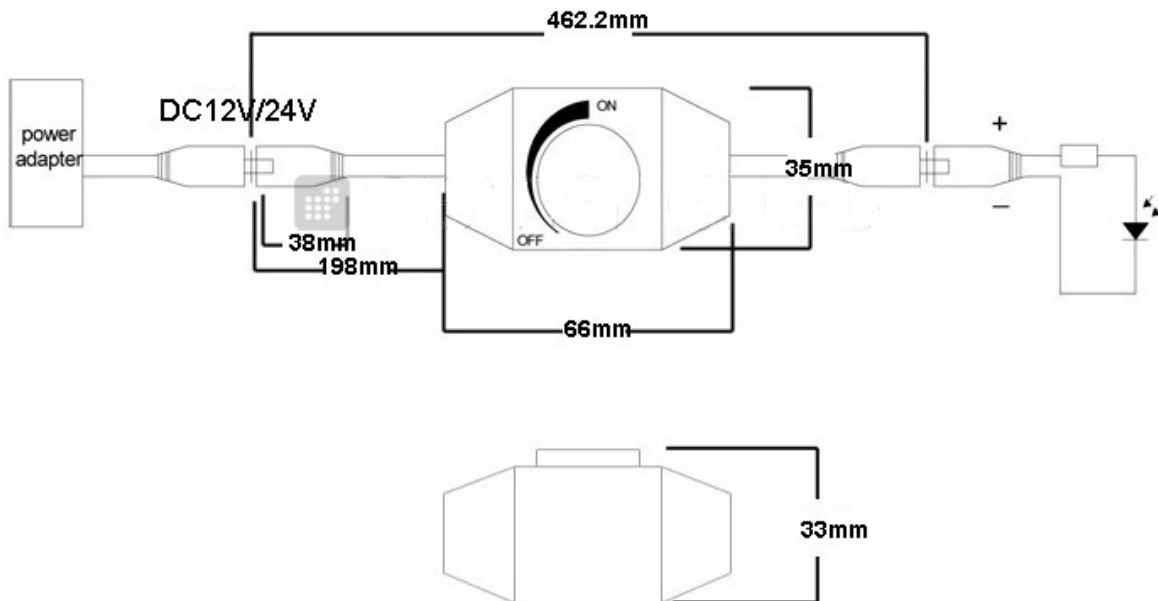


Project :	Date :
Cat. No. :	Type :
Notes :	Volts :

The NTDIM-1C dims any of 12V or 24V Constant voltage LED circuit. With this easy to use LED dimmer you can take advantage of both the brightness of LED lights as well as their low level mood and accent lighting capacities, all without any troublesome flickering.



<b>Voltage Input:</b>	12/24V DC
<b>Module rating:</b>	12V DC : 24 Watts Max, 2 AMP 24V DC: 48 Watts Max, 2 AMP
<b>Operation temperature:</b>	-20°C+60°C
<b>Certification:</b>	 RoHS



**Natech Industrie**

3154 boulevard Industriel, Laval, QC, H7L 4P7 T: (450) 629-1169, F: (450) 629-1168, [www.natechlighting.com](http://www.natechlighting.com), [info@natechlighting.com](mailto:info@natechlighting.com)

This specification is valid as of 2014-08-15 and is subject to change without notice. Please confirm with the manufacturer before placing an order. Copyright 2014 Natech Industrie. All rights reserved.