

Project :	Date :
Cat. No. :	Type :
Notes :	Volts :

Application:

This Nema 1 cabinet assembly houses DC power supplies or controllers (0-10V, DMX512 or other types) allowing to control several LED fixtures. The cabinet will be factory assembled with one or several DC power supplies and controllers with corresponding fuses based on the selected amperage draw.

Housing:

Cabinet and cover are manufactured from 14GA formed steel with internal mounting holes and a ground lug. The housing is equipped with robust hinges and quarter turn closing mechanism.

Finish:

Electrostatically applied powder coat on pre-treated surface, color grey ANSI/ASA61.

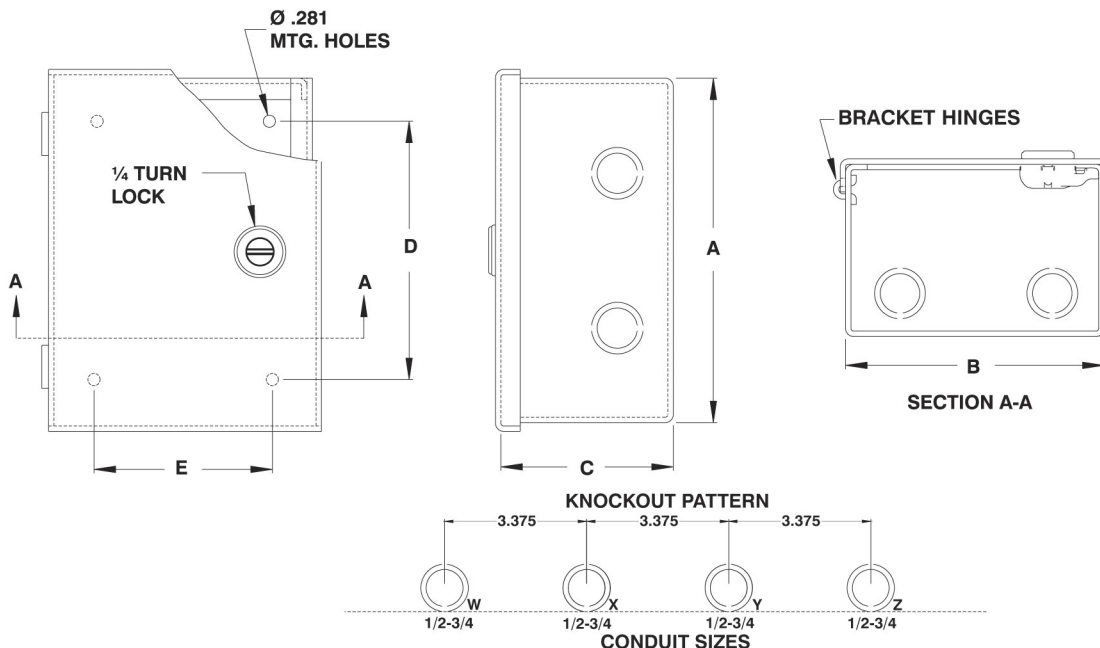
Certification

Conforms to ANSI/UL standards UL-1598
Certified to CAN/CSA standard C22.2 No 250.0



Image as example

	DIMENSION inches					MAXIMUM WATTAGE	
	A	B	C	D	E		
NEMA 1 080804	8	8	4	6	6	max 2 power supplies 145W total	(8"x8"x4")
NEMA 1 101004	10	10	4	8	8	max 2 power supplies 226W total	(10"x10"x4")
NEMA 1 121204	12	12	4	10	10	max 3 power supplies 326W total	(12"x12"x4")
NEMA 1 161606	16	16	6	14	14	max 3 power supplies 580W total	(16"x16"x6")



Natech Industrie

3154 boulevard Industriel, Laval, QC, H7L 4P7 T: (450) 629-1169, F: (450) 629-1168, www.natechlighting.com, info@natechlighting.com

This specification is valid as of 2015-01 and is subject to change without notice. Please confirm with the manufacturer before placing an order.
Copyright 2014 Natech Industrie. All rights reserved.