

Project :	Date :
Cat. No.:	Type :
Notes :	Volts :

Applications:

The NTTL-240W/300W/400W LED light engine is powered by four (4) Bridgelux USA proven and reliable Vero™ series array. Materials and construction ensures LED longevity while providing maximum lighting output with regards, to lumens and candle power.

Designed for high efficiency and long life suitable for a myriad of innovative architectural and site lighting solutions.

- Architectural, building and facade,
- Area lighting, site, parking and landscape,
- Signage, billboards, fountains statues and other elements,
- Interior spaces, showroom, lobby and warehouse.

Housing:

Cast-aluminium IP65 housing and rugged construction provides state of the art thermal management and 100% housing heat dissipation since LED is mounted directly on the body allowing full functionality and lighting flux performance at all mounting angles and position. Stainless steal hardware.

Lenses and optical cells/ CRI

Optical assembly is hermetically sealed providing ingress protection IP65. Gasketed tempered glass.

Standard CRI 80 (Availability CRI 70 and 90 varies depending on selected °K degree temp consult factory)



Finish:

UV rays and corrosion resistant electrostatic applied grey polyester powder coat finish as standard color.

Voltage (50/60Hz):

4 347-480VAC, 0-10 volt dim (except 400W)

6 120-277 VAC, 0-10 volt dim

Consult factory for solar power operation.

Characteristics:

- Nominal line voltage: 120-277V 50/60Hz
- IP67 rated driver
- PF Power factor >0.9,
- 50,000 hours tested L70,
- Weight: 50 lbs (23kg)
- Operating temperatures:
Min -30°C (-22°F)
Max +55°C (+131°F)
- Comes standard with 1m (39 inches) SJOOW 18/3 cable.

Mounting:

Available with different mounting options: standard 3-hole yoke mount, and slip-fit mount. Other options are available. The yoke mounting bracket has an indexed lockable mechanism.

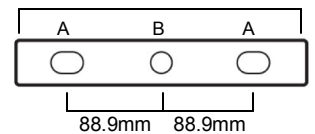
Certification :

Meets and exceeds industry ANSI/UL UL-1598, 8750, CAN/CSA, CSA-22.2 no 250.0 & CSA-22.2 no 250.13 standards for safety and compliance.



NTTL-240W/NTTL-300W/NTTL-400W

Yoke mount detail
508mm

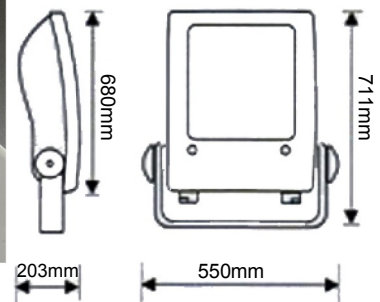


A - Ø17mm fixation holes
B - Ø13mm central hole

CCT Color°K	NTTL-240W		NTTL-300W		NTTL-400W	
	Min. Pulsed Lumens	Typ. Effi. Lumens/Watt	Min. Pulsed Lumens	Typ. Effi. Lumens/Watt	Min. Pulsed Lumens	Typ. Effi. Lumens/Watt
2700K	26000	126	32500	123	37560	116
3000K	26960	130	33700	127	38960	120
3500K	27960	135	34950	132	40400	125
4000K	28440	138	35550	134	41080	127
5000K	31360	152	39200	148	45360	140



TILT AND LOCK



Ordering Matrix / Specification

Model	Wattage	Voltage	Color	Lens	Beam	Mounting	Housing Color
NTTL	240W	4 347-480 VAC	W27 (2700K)	C Clear	S25 - 25°	Y Yoke	G Gray
	300W		W30 (3000K)		S46 - 46°		
	400	6 120-277 VAC	W35 (3500K)				
			W40 (4000K)				
			W50 (5000K)				

* Consult Factory



5 YEARS limited manufacturer warranty under normal conditions of use.

The Bridgelux logo and Vero name are registered trademarks of Bridgelux Inc. And are used under trademark license agreement.

Natech Industrie

3154 boulevard Industriel, Laval, QC, H7L 4P7 T: (450) 629-1169, F: (450) 629-1168, www.natechlighting.com, info@natechlighting.com

This specification is valid as of 2015-09 and is subject to change without notice. Please confirm with the manufacturer before placing an order. Copyright 2014 Natech Industrie. All rights reserved.