

Project :	Date :
Cat. No. :	Type :
Notes :	Volts :

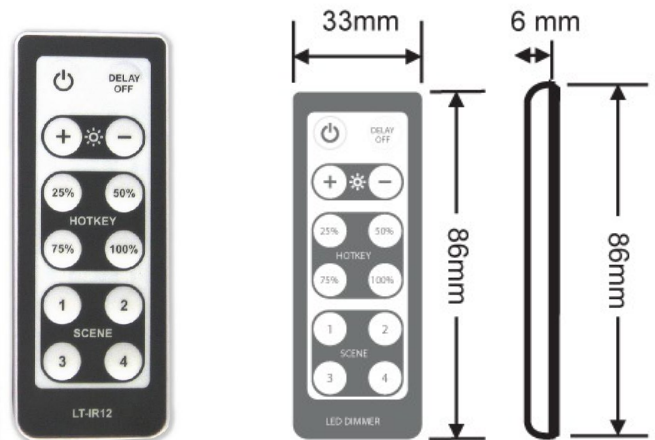
The NTLT-3200-350MA or NTLT-3200-700MA dimmer are dedicated to adjust the brightness of LED lights, which adopted the most advanced PWM (Pulse-Width Modulation) digital brightness-adjusting technology at present, users can either operate manually or use the IR wireless remote controller to control the brightness in the distance. It is suitable for dimming 1W (350MA) or 3W (700MA) DELs



Model	Constant current 350mA	Constant current 700mA
Input voltage	DC12V-DC48V	DC12V-DC48V
Max load current	350MA	700MA
Driving LEDs	12V: 1-3pcs 1W LED 24V: 1-6pcs 1W LED	12V: 1-3pcs 3W LED 24V: 1-6pcs 3W LED
Output signal	Constant current PWM	Constant current PWM
Dimming range	0-100%	0-100%
Scale levels	4096 levels	4096 levels

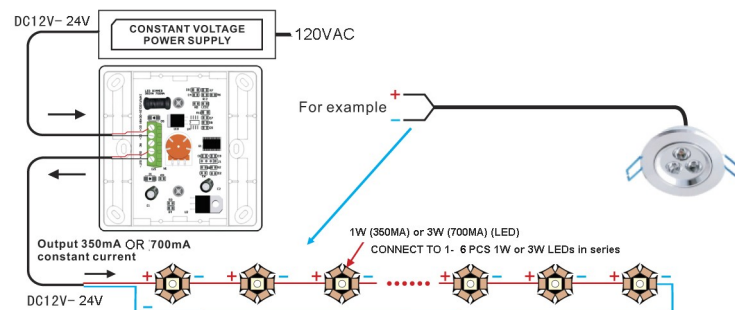
- Automatically adapt to DC12-24V working voltage
- Infinite knob style dimming and wireless IR remote dimming
- Real 0~100% brightness adjusts, adjust 4096 scales level, lamp-light soft & stable, without strobe flash
- Delay OFF button, fluorescent indicator

Sign	Button	Description
	ON/OFF	on/off the LED lamp Any button can start the LED lamp at off status.
	DELAY OFF	Press this key, it will wait 30 seconds before turning off the light automatically.
	BRT+ BRT-	These two buttons can increase or decrease the brightness, total 256 levels of brightness, continually pressing it, you can continually change the brightness.
	HOTKEY	Press these four keys can select different brightness you want directly & immediately.
	SCENE	Total 4 keys, continually press it for 3 seconds, the dimmer's indicated light flick several times, meaning the current brightness was automatically saved, you can enter this mode by just press it once.



Safety warnings

- In order to use it properly and safety, please read user's manual carefully before installation
- Please don't install this controller in lightning, intense magnetic and high-voltage fields
- To reduce the risk of component damage and fire caused by short circuit, make sure correct connection.
- Always be sure to mount this unit in an area that will allow proper ventilation to ensure a fitting temperature
- Check if the voltage and power adapter suit the controller (please select DC12-24V power supply with constant voltage)
- Don't connect cables with power on, make sure a correct connection and no short circuit checked with instrument before power on



Natech Industrie

3154 boulevard Industriel, Laval, QC, H7L 4P7 T: (450) 629-1169, F: (450) 629-1168, www.natechlighting.com, info@natechlighting.com