

Project :	Date :
Cat. No:	Type :
Notes :	Volts :

### Applications:

The NTTLH-400W LED light is powered by four (4) LED COB "full spectrum" from Natech Hortix. It can be same wavelength of different wavelength.\*

It can also be controlled individually or simultaneously via a DMX protocole\*\*, each COB has its own driver.

Materials and construction ensure LED longevity while providing maximum lighting output with regard to lumen and candle power. Designed for high efficiency and long life suitable for indoor or outdoor. This projector does not need fan (noiseless) and have a automatic reset for high temperature protection.

- Consult factory for different wavelength option

\*\* Standard order "No control" DMX 4 channels

Designed for performance and durability this product helps ensure photosynthesis of plants.

### Housing:

Cast-aluminium IP67 housing and rugged construction provides state of the art thermal management and 100% housing heat dissipation since LED is mounted directly on the body allowing full functionality and lighting flux performance at all mounting angles and position. Stainless steel hardware.

### Lenses and optical cells/CRI

Tempered glass-14 perimeter pressure points on gasket. Large variety of distributions can be also complemented with reflectors and/or optical lenses to create narrow or very narrow beams. Optical assembly is hermetically sealed providing ingress protection IP67.

### Finish:

Corrosion and salt spray resistant electrostatic applied black polyester powder coat finish as standard color. Consult factory for special RAL chart colors and paint match.

### Voltage: (50/60Hz)

- 4 347-480VAC
- 6 120-277VAC (option DMX)

### Caractéristiques:

- Nominal line voltage:** 120-277V 50/60Hz
- Maximum power :** 380 watts
- µmol/watt at 18":** 7.89 à 13.42 µmol
- µmol/watt at 36":** 2.68 à 6.71 µmol
- PPF at 18 ":** 3000 à 5100 µmol
- at 36 ":** 1021 à 2550 µmol

IP67 rated driver, outdoor/indoor, humid or wet conditions.

**PF Power factor:** >0.9

50, 000 hours tested L70

**Operating temperatures:** Min. -30°C (-22°F)  
Max. +55°C (+131°F)

- Beam angle:** medium, spot
- Cooling :** (passive) no fan noiseless
- Weight:** 38 lbs (17.2kg)
- Standard** 1 meter (39 inches) cable SJOOW 18/3

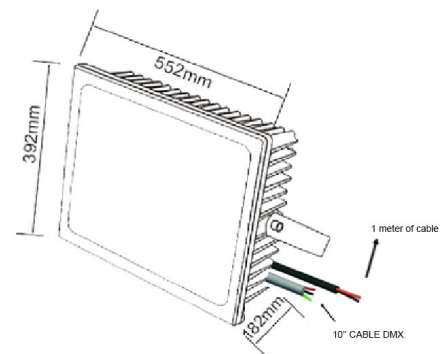
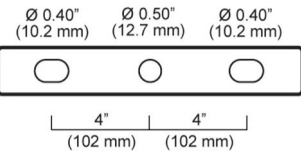
**Option:**  
DMX 4 channels 0-100% (120V only)

### Certification:

Meets and exceeds industry ANSI/UL-1598, 8750, CAN/CSA, CSA-22.2 no 250.0 & CSA-22.2 No 250.13 standards for safety and compliance.



### Yoke Mount Detail:



### Ordering Matrix / Specification

Model	Wattage	Voltage	Color	Lens	Beam	Mounting	Option	Housing color
NTTLH	400			CL				
		4 347-480 VAC 6 120-277 VAC		CL Clear	S25 Spot 25° S46 Spot 46°	Y Yoke	DMX 120V ONLY	B Noir RAL RAL