

Project :

Date :

Cat. No.:

Type :

Notes :

Volts :

**Applications:**

The **NTTL-60W/80W/100W** LED light engine is powered by a Bridgelux USA proven and reliable Vero™ series array. Materials and construction ensures LED longevity while providing maximum lighting output with regards, to lumens and candle power.

Designed for high efficiency and long life suitable for a myriad of innovative architectural and site lighting solutions.

- Architectural, building and facade,
- Area lighting, site, parking and landscape,
- Signage, billboards, fountains statues and other elements,
- Interior spaces, showroom, lobby and warehouse.

**Housing:**

Cast-aluminium IP65 housing and rugged construction provides state of the art thermal management and 100% housing heat dissipation since LED is mounted directly on the body allowing full functionality and lighting flux performance at all mounting angles and position. Stainless steel hardware.

**Lenses and optical cells/ CRI**

Optical assembly is hermetically sealed providing ingress protection IP65. Gasketed tempered glass.

Standard CRI 80 (Availability CRI 70 and 90 varies depending on selected °K degree temp consult factory)



TILT AND LOCK ADJUSTMENT

**Finish:**

UV rays and corrosion resistant electrostatic applied grey polyester powder coat finish as standard color.

**Voltage (50/60Hz):**

- 3 90-264VAC, 0-10 volt dim
  - 4 347-480VAC, 0-10 volt dim
  - 5 90-305VAC, 0-10 volt dim
  - 6 120-277 VAC, 0-10 volt dim
- Consult factory for solar power operation.

**Characteristics:**

- Nominal line voltage: 120-277V 50/60Hz
- IP67 rated driver
- PF Power factor >0.9,
- 50,000 hours tested L70,
- Weight: 13 lbs (5.9kg)
- Operating temperatures:  
Min -30°C (-22°F)  
Max +55°C (+131°F)
- Comes standard with 1m (39 inches) SJOOW 18/3 cable.

**Options (consult factory):**

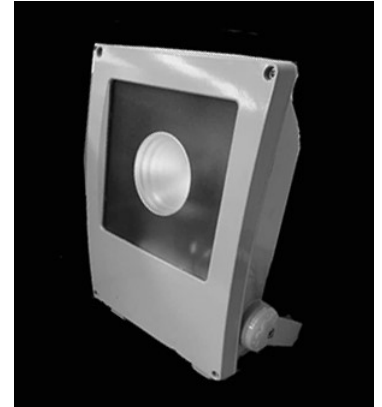
- 0-10V dimming available
- Dali or DMX controls,
- Choices of wiring and connecting devices,

**Mounting:**

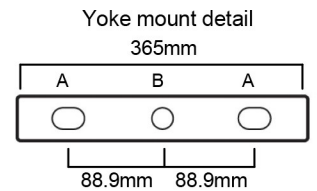
Available with different mounting options: standard 3-hole yoke mount, and slip-fit mount. Other options are available. The yoke mounting bracket has an indexed lockable mechanism.

**Certification :**

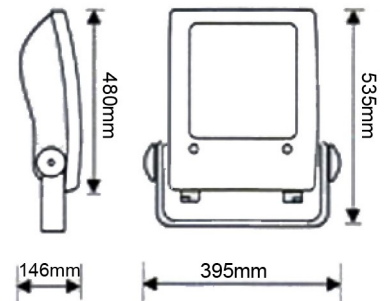
Meets and exceeds industry ANSI/UL UL-1598, 8750, CAN/CSA, CSA-22.2 no 250.0 & CSA-22.2 no 250.13 standards for safety and compliance.



NTTL-60/80/100W-S46°



A - Ø17mm fixation holes  
B - Ø13mm central hole



CCT	NTTL-60W		NTTL-80W		NTTL-100W	
	Color °K	Lumens	Lumens/Watt	Lumens	Lumens/Watt	Lumens
2700K	8791	164	11740	149	13400	134
3000K	10384	176	12597	160	14400	144
3500K	10384	176	12596	160	14400	144
4000K	10502	178	12719	161	14600	146
5000K	10797	183	13105	166	15000	150
5700K	10974	186	13330	169	15300	153
6500K	11210	190	13575	172	15500	155

**Ordering Matrix / Specification**

Model	Wattage	Voltage	Color	Lens	Beam	Mounting	Housing color
NTTL	60	3 90-264VAC	W27 (2700K)	FR Frost	S25 Spot 25°	Y Yoke	G Gray
	80	4 347-480VAC	W30 (3000K)		S46 Medium spot 46°		RAL RAL
	100	5 90-305VAC	W35 (3500K)				
		6 120-277VAC	W40 (4000K) W50 (5000K) W57 (5700K) W65 (6500K)				



5 YEARS limited manufacturer warranty under normal conditions of use.