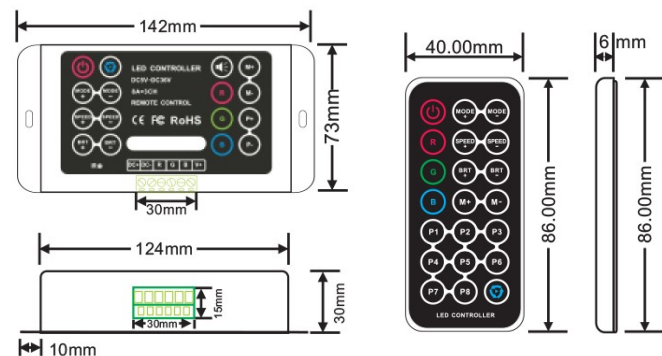


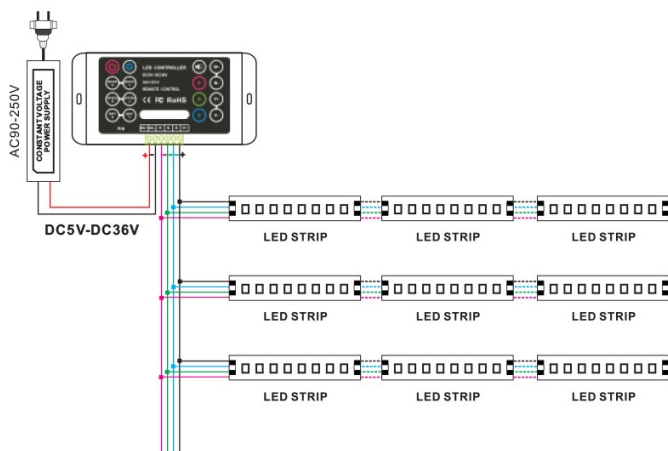
Project :	Date :
Cat. No. :	Type :
Notes :	Volts :

Multifunctional LED RGB controller is an upgraded DIY LED controller, it added customize programming function. You can program your color change modes within a few seconds. It can control color changes of LED lights with 4-pin 3-channels. It has 12 kinds of built-in modes, 6 kinds of customize modes, which can be change to any of the color skipping, color smooth and color flicker, makes your LED light changes more rich and colorful.

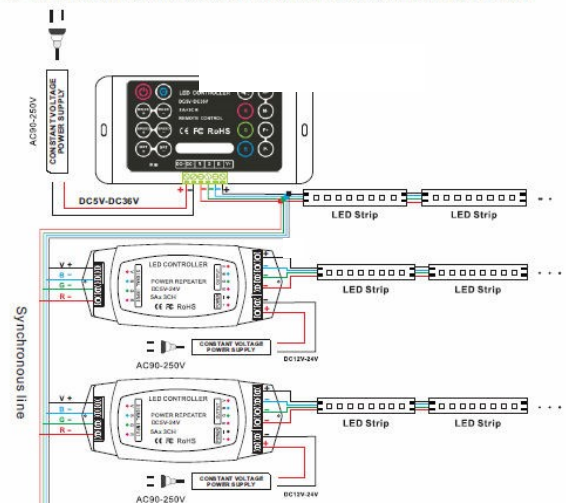
Mode	8A
Input voltage	DC5V-DC36V
Max load current	8A/CH×3
Max load power	120W(5V)290W(12V)580W(24V)865W(36V)
Changing mode	12 built-in modes, 6 customize modes
Scale level	4096 steps per RGB
Static dimming	mixing up 4096 colors
Remote Control Distance	10m without obstacle
Dimension	L142×W73×H30(mm)
Weight (G.W)	415g
Control type	Common Anode



- The product shall be installed and serviced by a qualified person.
- This product is non-waterproof.
- Good heat dissipation will prolong the working life of the controller. Please ensure good ventilation
- Please check if the output of any LED power supplies used comply with working voltage of the product
- Ensure all wire connections and polarities are correct before applying power to avoid any damages to the LED lights

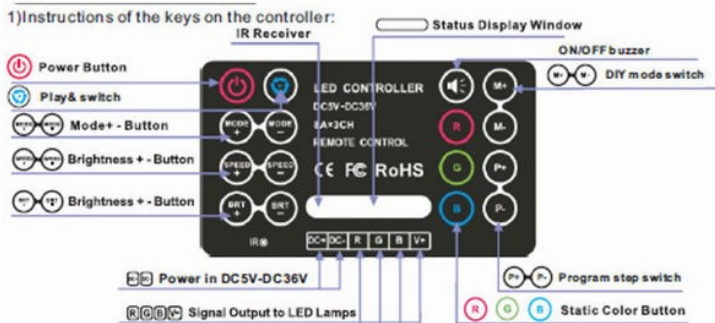


2) Connect to power repeater (the controller and the repeater can share the same power supply)

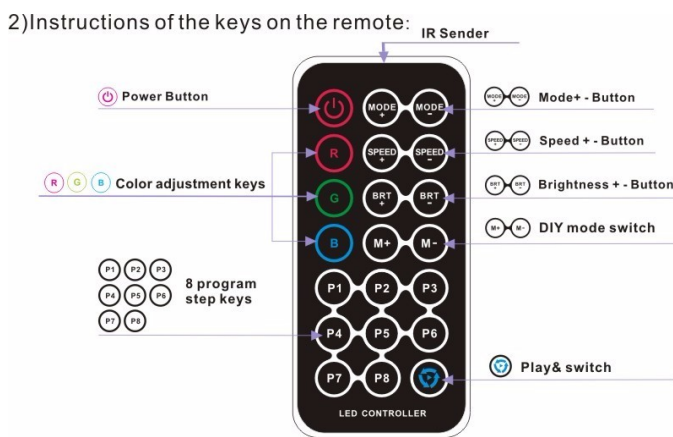


Project :	Date :
Cat. No. :	Type :
Notes :	Volts :

- Automatic switch from DC5V-DC36V
- With 21 buttons IR wireless remote control, reliable control distance can reach as far as 10 meters
- 12 built-in changing modes, 6 DIY modes, and each mode can be change to any of the color skipping, color smooth and color flicker, 54 changing modes in all
- 0-100% dimming and 16 levels of static brightness per RGB can mix 4096 colors; 16 speed levels in each mode.
- 3 channel RGB full color control, maximum outputs 8A per channel
- Equipped with infrared receiver to receive the infrared signal
- Power loss memory function. Over current protection, short circuit protection



No.	Color	Color skipping	Color fading	Color flicker
1	Red	Static Red	Red fading	Red flicker
2	Green	Static Green	Green fading	Green flicker
3	Blue	Static Blue	Blue fading	Blue flicker
4	Yellow	Static Yellow	Yellow fading	Yellow flicker
5	Purple	Static Purple	Purple fading	Purple flicker
6	Cyan	Static Cyan	Cyan fading	Cyan flicker
7	White	Static White	White fading	White flicker
8	Red green	RG skipping	RG fading	RG flicker
9	Red blue	RB skipping	RB fading	RB flicker
10	Green blue	GB skipping	GB fading	GB flicker
11	RGB	RGB skipping	RGB fading	RGB flicker
12	RGBYPCW	Color skipping	Color fading	Color flicker



Sign	Button	Description
	ON/OFF	Turn on/off the controller Any button can start the controller at off status.
	Play & switch	Play & switch: play and switch the changing modes in skipping, fading and flicker
	Mode + -	Switch in the 12 built-in modes, and change each of the changing modes of the built-in sequence by pressing ; long press MODE+ or MODE- to enter the built-in modes circulation with a long beep.
	Speed + -	Changing the speed, 16 speed level, no circulation; in circulation mode, when play the DIY sequence, the speed unchangeable.
	Brightness + -	Changing the brightness, 16 brightness level, no circulation; in circulation mode, when play the DIY sequence, the brightness unchangeable.
	ON/OFF buzzer	To ON/OFF the buzzer
	Color adjustment keys	Only active in program mode, press R,G,B to adjust the brightness of each color(each color 16 brightness level) in circulation, also can use BRT+/BRT- to adjust the brightness of current color.
	DIY mode switch	Switch in 6 DIY sequence, and change the changing mode of each sequence by pressing the  key.
	Program step switch	Only active in program mode, switch the 8 steps in the 6 DIY modes, to make individual program, to modify or adjust the color in each step by pressing R,G,B keys, press  to play
	8 program step keys	In 6 DIY modes, the 8 steps of each DIY mode can be programmed individually, and to modify or adjust the color in each step by pressing R,G,B keys; press  to play, Long press to delete the current steps.