

Project :

Date :

Cat. No.:

Type :

Notes :

Volts :

### DMX Master RGBW/CCT & RGB



NTWM-DMX-SR2812RGBW



NTWM-DMX-SR2830CCTRGB

### Remote RGBW



NTREM-RF-SR2818RGBW



NTREM-RF-SR2819SRGBW



### DMX & RF WIFI



NTWIFI-DMX/RF-SR2818WIN



### DMX Decoder & DMX Master



NTDEC-SR2102BEA-RJ45  
Constant voltage  
Decoder



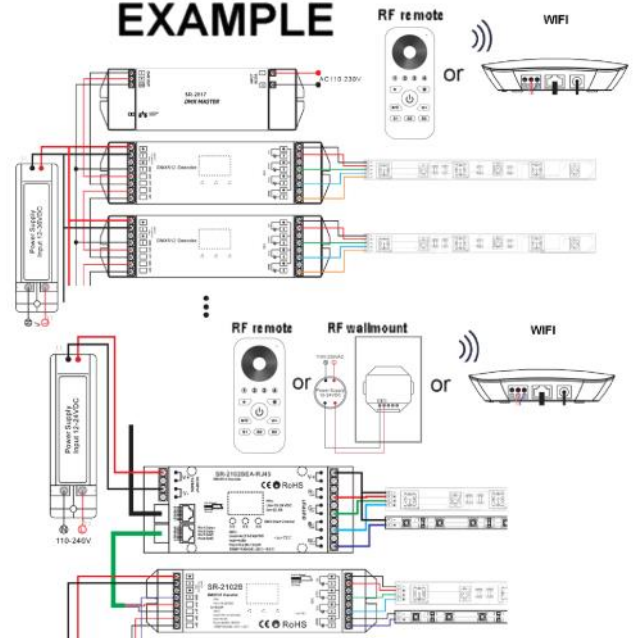
NTDEC-SR2103FA  
FA Constant voltage  
FA3 Constant current 350MA  
FA7 Constant current 700MA  
Decoder



NTMAS-SR2817DMX  
Constant voltage  
Master



### EXAMPLE



Project :

Date :

Cat. No.:

Type :

Notes :

Volts :

This remote control system is a perfect for setting residential or commercial. Application with 3 batteries AAA (not included)

- User-friendly interface, easy and simple operation
- Control up to 4 zones, each zone can have an endless quantity of receivers, each receiver can maximally be controlled by 8 different remotes.
- Set 3 scenes at each zone
- Preset 10 changing modes, with pause function
- Synchronization function of pattern changes ensure consistent change forever.
- Receivers can work with RF-WIFI converter after installing software on IOS and Android system.
- Enable to dim brightness of each R,G,B,W channel in order to mix many colors



NTREM-RF-SR2819RGBW

This remote control system is a perfect for setting residential or commercial. Applications with a wall base and USB cable for recharging batteries

- User-friendly interface, easy and simple operation
- Control up to 8 zones, each zone can have an endless quantity of receivers, each receiver can maximally be controlled by 8 different remotes.
- Set 8 scenes at each zone
- Preset 10 changing modes, with pause function
- Synchronization function of pattern changes ensure consistent change forever.
- Receivers can work with RF-WIFI converter after installing software on IOS and Android system.
- Enable to dim brightness of each R,G,B,W channel in order to mix many colors



NTREM-RF-SR2818RGBW

### LED DMX master



NTMAS-SR2817DMX  
Constant voltage

#### Natech Industrie

3154 boulevard Industriel, Laval, QC, H7L 4P7 T: (450) 629-1169, F: (450) 629-1168, [www.natechlighting.com](http://www.natechlighting.com), [info@natechlighting.com](mailto:info@natechlighting.com)

This specification is valid as of 2017-01 and is subject to change without notice. Please confirm with the manufacturer before placing an order.  
Copyright 2014 Natech Industrie. All rights reserved.

Project :

Date :

Cat. No.:

Type :

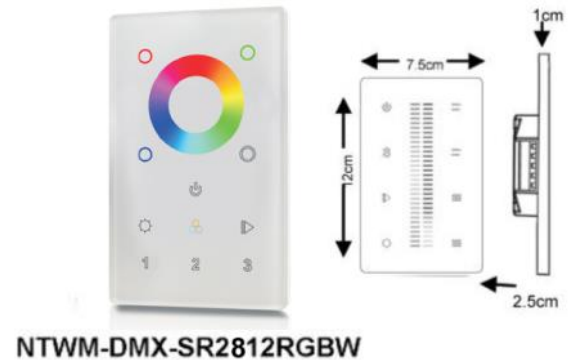
Notes :

Volts :

### NTWM-DMX-SR2812RGBW DMX master (need 12/24VDC power supply)

3 zones wall mounted RGBW DMX512 master, **NTWM-DMX-SR2812RGBW** is a full touch controller designed in accordance with standard protocol DMX512 (1990)

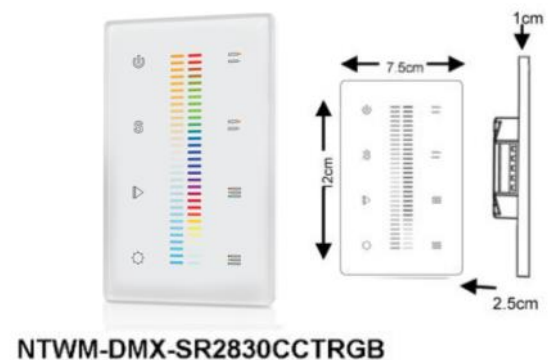
- User friendly interface easy and simple operation
- Control up to 3 zones RGBW separately or synchronously
- Each zone can contrôle DMX decoder
- In zone 1 set address as 001
- In zone 2 set address as 005
- In zone 3 set address as 009



### NTWM-DMX-SR2830CCTRGB master (need 12/24VDC power supply)

4 zones wall mounted CCTRGB DMX512 master, **NTWM-DMX-SR2830CCTRGB** is a full touch controller designed in accordance with standard protocol DMX512 (1990)

- User friendly interface easy and simple operation
- Control 4 different zones separately or synchronously with endless decoders in each zone. Save 2 Kelvin/scenes for each zone
- Enable to connect with warm white, cold white and RGB to achieve accurate adjustment or color ton, color temperature and brightness
- Back lighting design to be found even in the dark



## DMX decoder



**NTDEC-SR2102BEA-RJ45**  
Constant voltage  
Decoder



**NTDEC-SR2103FA**  
FA Constant voltage  
FA3 Constant current 350MA  
FA7 Constant current 700MA  
Decoder



Project :

Date :

Cat. No.:

Type :

Notes :

Volts :

The convertor works with RF receivers series or DMX512 decoder to be controlled by IOS or Android system via WIFI IP20

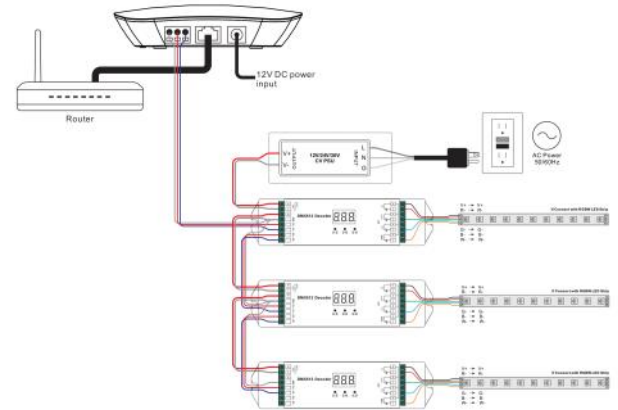
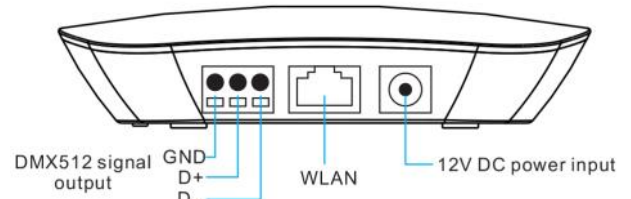
### Operation

Download application from "appstore" or "google play" by searching easylighting

Set DMX decoders address as follows

- DMX decoders with address 001 will be controlled by zone 1
- DMX decoders with address 005 will be controlled by zone 2
- DMX decoders with address 009 will be controlled by zone 3
- DMX decoders with address 013 will be controlled by zone 4
- DMX decoders with address 017 will be controlled by zone 5
- DMX decoders with address 021 will be controlled by zone 6
- DMX decoders with address 025 will be controlled by zone 7
- DMX decoders with address 029 will be controlled by zone 8

Each zone can pair endless of DMX decoders if you set the address accordingly.



### LED DMX decoder



E477171



**NTDEC-SR2102BEA-RJ45**  
Constant voltage  
Decoder



**NTDEC-SR2103FA**  
FA Constant voltage  
FA3 Constant current 350MA  
FA7 Constant current 700MA  
Decoder



**NTMAS-SR2817DMX**  
Constant voltage

### Natech Industrie

3154 boulevard Industriel, Laval, QC, H7L 4P7 T: (450) 629-1169, F: (450) 629-1168, [www.natechlighting.com](http://www.natechlighting.com), [info@natechlighting.com](mailto:info@natechlighting.com)

This specification is valid as of 2017-01 and is subject to change without notice. Please confirm with the manufacturer before placing an order.  
Copyright 2014 Natech Industrie. All rights reserved.