

Project :	Date :
Cat. No :	Type :
Notes :	Volts :

Description:

The **NTALB-12** LED bar design provides a unique linear lighting solution combining style, performance and durability in a medium width strip, while reducing constructions and operating costs through installation time, energy savings and maintenance free application.

Housing:

The **NTALB-12** is a high precision extruded anodized aluminum that can accept a LED linear source from normal to high power.

Lens:

Precision fit extruded acrylic snap-in clear lens with a central focus available in:

CL Clear

Mounting:

Mounts directly on the surface.

- FC** Fixed clips (set of 2)
- SC** Swivel metal clips (set of 2)
- B** Aluminum bracket

Application/Installation:

The **NTALB-012** LED bar can be installed for up, or down applications or side for 180° light diffusion. Consult factory for damp application or splash area using our silicone jacketed IP67 sources. **(WP)**

Voltage:

- 12 VDC
- 24 VDC

Electrical and Electronics:

High quality diodes tested (LM80) and certified life cycle for 60,000 hours (L80). All certified electrical and electronic components have been re-tested over the years for compatibility within products and for specific applications. All products exceed current standards.

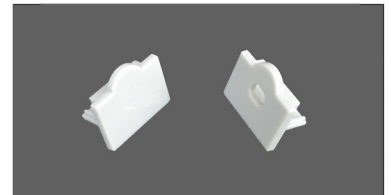
Power supply not included, consult factory. Consult the LED specification sheet for the appropriate optional dimmers and controls combination for your project.

Homologation:

Conforms to ANSI/UL standard UL-2108
Certified to CAN/CSA standard 22.2-9.0



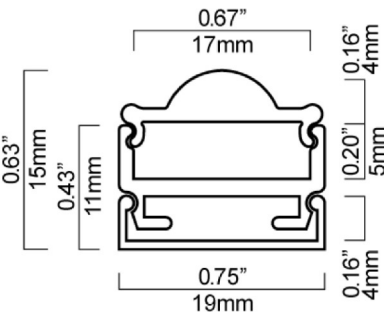
NTALB12 - CL



NTALB12 - End Caps

Ordering Matrix / Specification

Model	Bar	Length	Lens	Mounting	LED**	Color	Volts
NTALB	12	1000 mm 2000 mm XX mm*	CL Clear	FC Fixed Clips SC Swivel Clip B Base	UT30 UT30 WP UT60 UT60 WP	VWW (2400K) WW (2700,3000,3500K) NW (4100K) WH (5000K) R (Red)*** B (Blue)*** G (Green)*** A (Amber)***	12VDC 24VDC
					HP30 HP30WP HP120 HP120WP	VWW (2400K) WW (3000K) NW (4100K) WH (5000K) R (Red)*** B (Blue)*** G (Green)*** A (Amber)***	
					UT39K CCT (White)	(2700-6500K)****	
					RGB 150 RGB 150 WP		
					RGB 300 RGB 300 WP		



** Consult the LED linear source and driver data sheets for available wattages and characteristics.
*** Consult Factory
**** Color Correction