

Project :	Date :
Cat. No :	Type :
Notes :	Volts :

Description:

The **NTALB-33** LED bar design provides a unique linear lighting solution combining style, performance and durability while reducing constructions and operating costs through installation time, energy savings and maintenance free application.

Housing:

The **NTALB-33** is a high precision extruded anodized aluminum that can accept a LED linear source from normal to medium power.

Lens:

Precision fit extruded 3mm waterproof polyethylene snap-in flat lens, shock resistant for pedestrian traffic available in:

FR Frosted

Mounting

This LED bar is recessed only

Application/Installation:

The **NTALB-33** LED bar can be installed inside or outside.
Consult factory for damp application or splash area using our silicone jacketed IP67 sources. (**WP**)

Voltage:

12 VDC
24 VDC

Electrical and Electronics:

High quality diodes tested (LM80) and certified life cycle for 60,000 hours (L80).

All certified electrical and electronic components have been re-tested over the years for compatibility within products and for specific applications. All products exceed current standards.

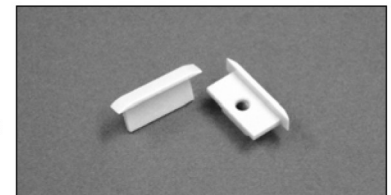
Power supply not included, consult factory. Consult the LED specification sheet for the appropriate optional dimmers and controls combination for your project.

Homologation:

Conforms to ANSI/UL standard UL-2108
Certified to CAN/CSA standard 22.2-9.0



NTALB33 - FR

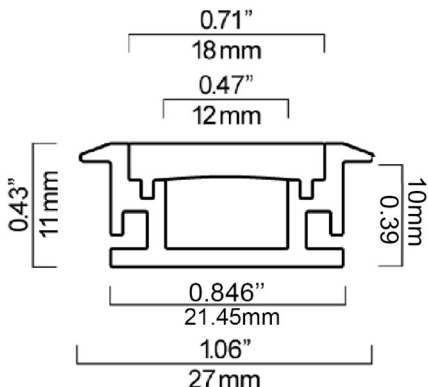


NTALB33 - End Caps



Ordering Matrix / Specification

Model	Bar	Length	Lens	LED**	Color	Volts
NTALB	33	1000 mm 2000 mm XX mm*	FR Frosted	UT30 UT30 WP UT60 UT60 WP	VWW (2400K) WW (2700, 3000, 3500K) NW (4100K) WH (5000K) R (Red)*** B (Blue)*** G (Green)*** A (Amber)***	12VDC 24VDC
		* Consult factory for special lengths.		HP30 HP120	VWW (2400K) WW (3000K) NW (4100K) WH (5000K) R (Red)*** B (Blue)*** G (Green)*** A (Amber)***	
				UT39K CCT (White)	(2700-6500K)****	
				RGB 150	** Consult the LED linear source and driver data sheets for available wattages and characteristics.	
				RGB 300	*** Consult Factory **** Color Correction	



Natech Industrie

3154 boulevard Industriel, Laval, QC, H7L 4P7 T: (450) 629-1169, F: (450) 629-1168, www.natechlighting.com, info@natechlighting.com

This specification is valid as of 2019-01 and is subject to change without notice. Please confirm with the manufacturer before placing an order.
Copyright 2014 Natech Industrie. All rights reserved.