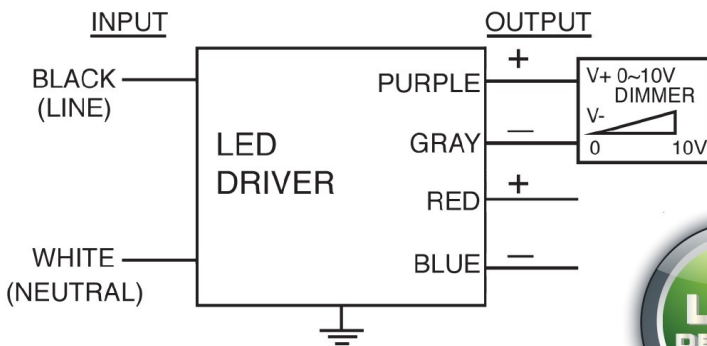


| | |
|------------|---------|
| Project : | Date : |
| Cat. No. : | Type : |
| Notes : | Volts : |

| Output Power | Input Power | Input Current | Minimum PF (full load) | Max. THD (full load) | Output Voltage | Output Current | T case Maximum | Minimum Starting Temp. | Efficiency \geq | Dimming Protocol | Dimming Range |
|--------------|-------------|------------------------------|------------------------|----------------------|----------------|-----------------|----------------|------------------------|-------------------|------------------|---------------|
| 100W | 110W | 0.98A @ 120V 0.42A @ 277V | >0.95 | <10% | 24V \pm 5% | 410mA to 4100mA | 90° C | -40° C | 90% | 0 to 10V | 8.3 to 100% |

WIRING:



| Lead Lengths | | | | | |
|--------------|------|------|------|--------|------|
| Black | 5.9" | Blue | 5.9" | Purple | 9.8" |
| White | 5.9" | Red | 5.9" | Gray | 9.8" |

PHYSICAL:



| Dimensions | |
|-----------------|--------|
| Length | 15.55" |
| Width | 1.49" |
| Height | 1.14" |
| Mounting Length | 15.23" |

SAFETY:

- UL and cUL Recognized
- UL1310 Class 2
- Class A sound rating
- Overload Protection
- Open/Short Circuit Protection
- LED driver has a life expectancy of 50,000 hours at Tcase of $\leq 75^{\circ}\text{C}$
- LED driver has a life expectancy of 100,000 hours at Tcase of $\leq 65^{\circ}\text{C}$
- Warranty: 5 yrs based on max case temp of $< 75^{\circ}\text{C}$; 3 yrs based on max case temp of 90°C^*
- Input/Output Isolation
- FCC Title 47 CFR Part 15
- Surge Protection (2.5 KV)