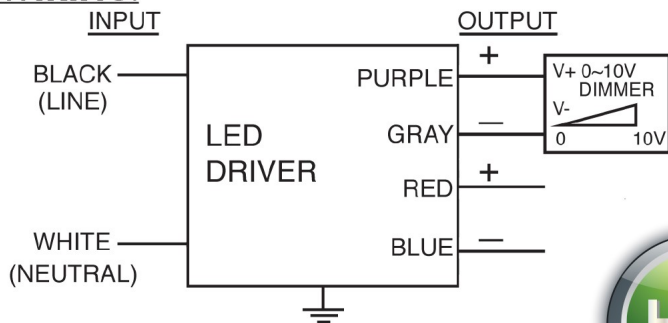


Project :	Date :
Cat. No. :	Type :
Notes :	Volts :

## ELECTRICAL SPECIFICATIONS:

Output Power	Input Current	Minimum PF (full load)	Max. THD (full load)	Output Voltage	Output Current	Input Power	T case Maximum	Minimum Starting Temp.	IP Rating	Efficiency $\geq$	Dimming Protocol	Dimming Range
100W	0.98A @ 120V 0.42A @ 277V	>0.95	<10%	24V $\pm$ 5%	410mA to 4100mA	110W	90° C	-40° C	65	89%	0 to 10V	15 to 100%

## WIRING:



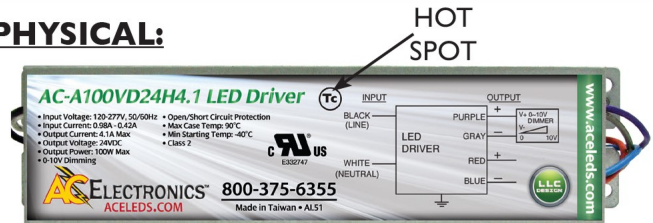
## Lead Lengths

Black	5.9"	Blue	5.9"	Purple	7.1"
White	5.9"	Red	5.9"	Gray	7.1"

## Remote Mounting (Max)

10AWG	47m (154.2')
12AWG	30m (98.4')
14AWG	19m (62.3')
16AWG	14m (45.9')
18AWG	8m (26.2')

## PHYSICAL:



## Dimensions

Length	9.5"
Width	2.4"
Height	1.46"
Mounting Length	8.9"
Mounting Hole Distance	1.5"
Mounting Hole Diameter	.20"
Weight	1.98 lbs.
Case Qty.	20 pcs.

## Recommended Dimmers

LUTRON NFTY-WH • HUNT PS-010  
LEVITON DS710-10Z • LEVITON IP710-DL

## SAFETY:

- UL and cUL Recognized
- UL1310 Class 2
- UL Outdoor Type I
- Class A sound rating
- Overload Protection
- Open/Short Circuit Protection
- LED driver has a life expectancy of 50,000 hours at Tcase of  $\leq 75^{\circ}\text{C}$
- LED driver has a life expectancy of 100,000 hours at Tcase of  $\leq 65^{\circ}\text{C}$
- Warranty: 5 yrs based on max case temp of  $< 75^{\circ}\text{C}$  \* 3 yrs based on max case temp of  $< 90^{\circ}\text{C}$
- Input/Output Isolation
- FCC Title 47 CFR Part 15
- Surge Protection (3 KV)

## INSTALLATION:

- LED drivers shall be installed inside electrical enclosures