

Project :	Date :
Cat no. :	Type :
Notes :	Volts :

Applications :

The waterproof **NTM-ST13-1W**, **NTM-ST13-2W** and **NTM-Z18-1W** are perfectly suited for a number of exterior applications and interior where a light accent is needed:

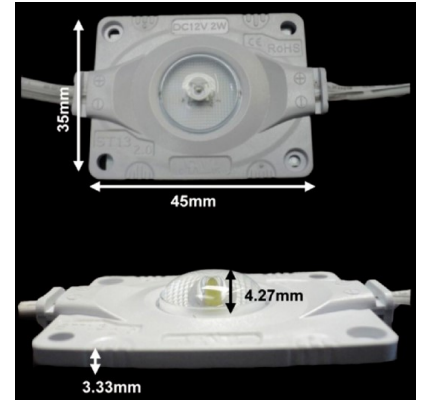
- NTM-ST13 Back lighting for signage, walls, wide and thin areas
- Decor or semi opaque materials for hotels, restaurant, bars, etc.
- NTM-Z18 is perfect for side, edge or long throw applications.

The light modules heat production permits applications directly on wood, plexiglass or other types of plastics, glass surfaces or any clean non porous surface

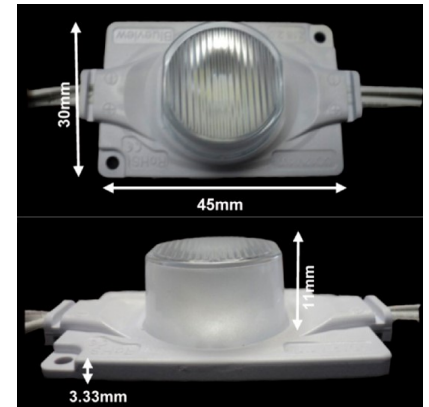
	NTM-ST13-2W	NTM-ST13-1W	NTM-Z18-1W
Cri:	<80	<80	<80
Light color:	3000K 6500K 8000K	3000K 4000K 5000K	3000K 4000K 6500K 8000K
Lumen:	165lm	95lm	95lm
Optic:	160°	160°	10°45°
Wattage:	2W	1W	1W
Maximum lenght	20 modules per circuit 3784mm (149 po)	20 modules per circuit 3784mm (149 po)	20 modules per circuit 3784mm (149 po)
Cutting:	each module	each module	each module
Voltage:	12V	12V	12V
Fixation:	adhesive 3M or screw	adhesive 3M or screw	adhesive 3M or screw
IP	IP65	IP65	IP65
Working temperature:	-25 - +60°C	-25 - +60°C	-25 - +60°C

Options: dimming available consult factory

The module must be connected to a low voltage output power supply according to selected voltage and power criteria.



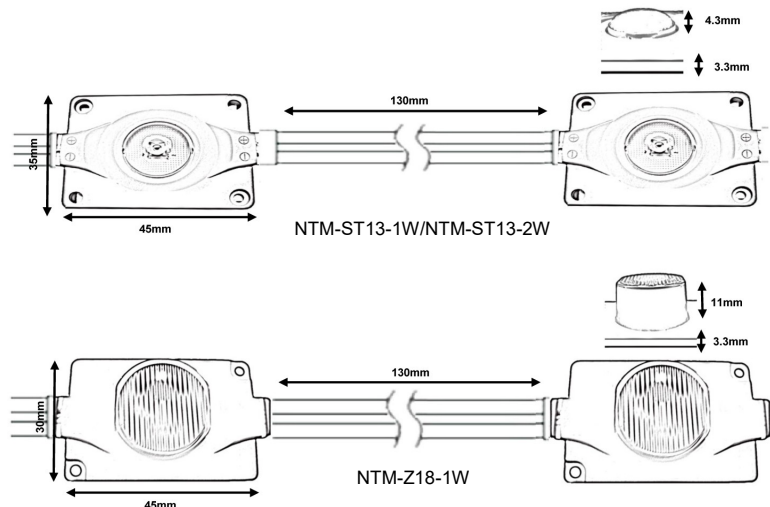
NTM-ST13-1W AND 2W Back lighting



NTM-Z18-1W Side lighting

Ordering Matrix / Specification

Model	Voltage
NTM - [] - [] - []	12V
ST13-2W ST13-1W Z18-1W	3000K 4000K 6500K 8000K



Natech Industrie

3154 boulevard Industriel, Laval, QC, H7L 4P7 T: (450) 629-1169, F: (450) 629-1168, www.natechlighting.com, info@natechlighting.com

This specification is valid as of 2017-03 and is subject to change without notice. Please confirm with the manufacturer before placing an order.
Copyright 2014 Natech Industrie. All rights reserved.