

Project :

Date :

Cat. No.:

Type :

Notes :

Volts :

Applications:

The NTTLC-24W-RGBW-24V LED light engine is powered by a 6 pcs 4 in 1 RGBW Cree. Materials and construction ensures LED longevity while providing maximum lighting output with regards, to lumens and candle power. Designed for high efficiency and long life suitable for a myriad of innovative architectural and site lighting solutions.

- Architectural, building and facade,
- Column
- Fountains statues, landscape and other elements,

Housing:

Cast-aluminium IP66 housing and rugged construction provides state of the art thermal management and 100% housing heat dissipation since LED is mounted directly on the body allowing full functionality and lighting flux performance at all mounting angles and position. Stainless steel hardware.

Lenses and optical cells/ CRI

Tempered glass, with 4 perimeter gasket pressure points. Optical assembly is hermetically sealed providing ingress protection. Standard CRI 80 and standard Spot 10 degrees

Finish:

Corrosion and salt spray resistant electrostatic applied polyester powder coat finish for white standard color.

Voltage (50/60 Hz)
2 24 Volts

Caractéristiques:

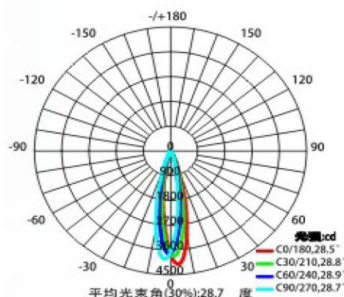
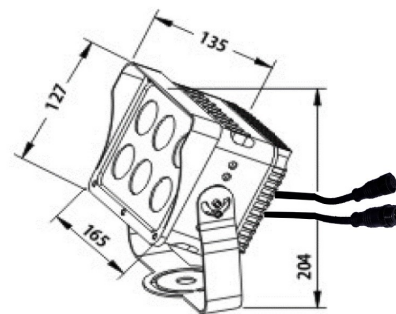
- Protocol signal 4 channels
- DMX512
- Can set the address via an encoder (not included see factory)
- IP66 power supply 24 volts (not included)
- 50,000 hours
- Weight: 6lbs (2.7kg),
- Working temperature:
Min -30°C (-22°F)
Max +55°C (+131°F)
- Standard with 2 x 0.7m waterproof 5-pin connector

Mounting:

Standard yoke mount

Certification :

Meets and exceeds industry ANSI/UL UL-1598, 8750, CAN/CSA, CSA-22.2 no 250.0 & CSA-22.2 no 250.13 standards for safety and compliance.



Accessories



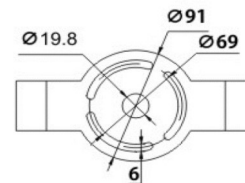
1 meter extension cable 5-pin

TG-EXT



T-through cable 5-pin 28cm each side

TG-TT cable



Ordering Matrix / Specification

Model	Wattage	Voltage	Color	Lens	Beam	Mounting	Option	Housing
NTTL	24W	2 24 Volts	RGBWH RGB+5000K RGBNW RGB+4000K RGBWW RGB+3000K	C clear	S10	Y Yoke	DMX	W White

Natech Industrie

3154 boulevard Industriel, Laval, QC, H7L 4P7 T: (450) 629-1169, F: (450) 629-1168, www.natechlighting.com, info@natechlighting.com

This specification is valid as of 2020-08 and is subject to change without notice. Please confirm with the manufacturer before placing an order.
Copyright 2014 Natech Industrie. All rights reserved.