

Project :

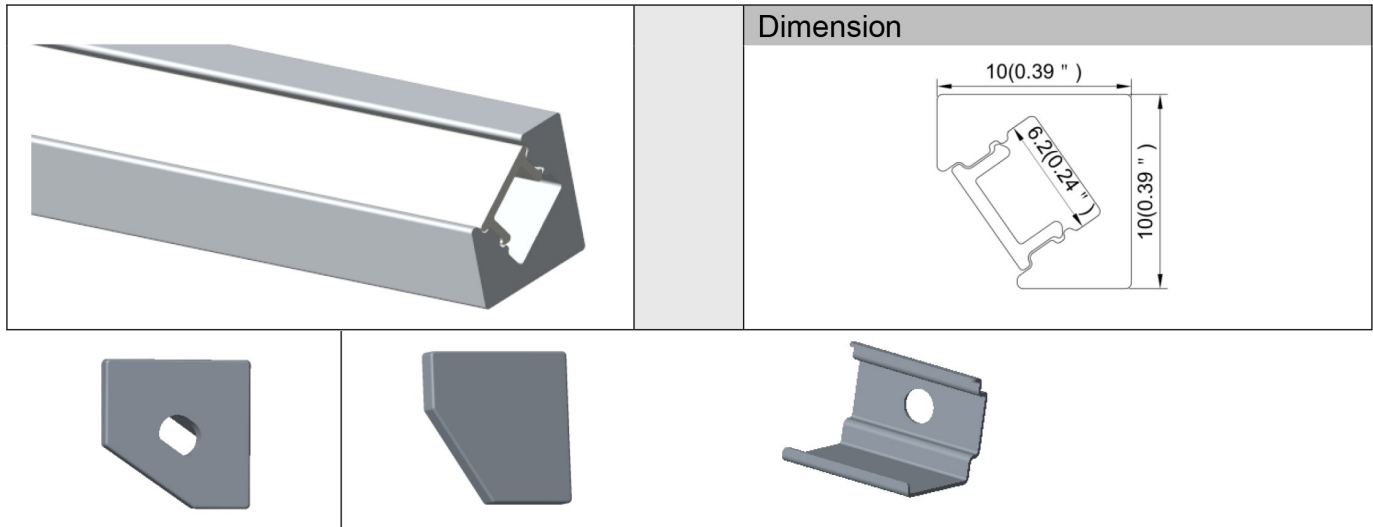
Date :

Cat No. :

Type :

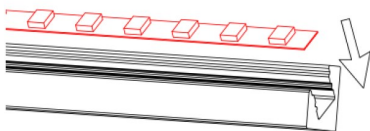
Notes :

Volts :

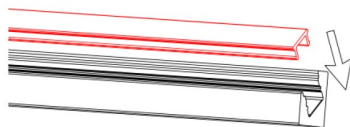


Steps of Installation

1. Stick the LED strip



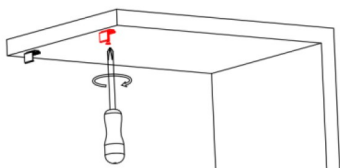
2. Press the cover



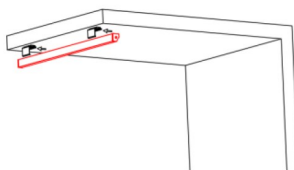
3. Insert the end caps



4. Install the mounting clip on the cabinet



5. Mount the profile on the clip



6. Installation completed

