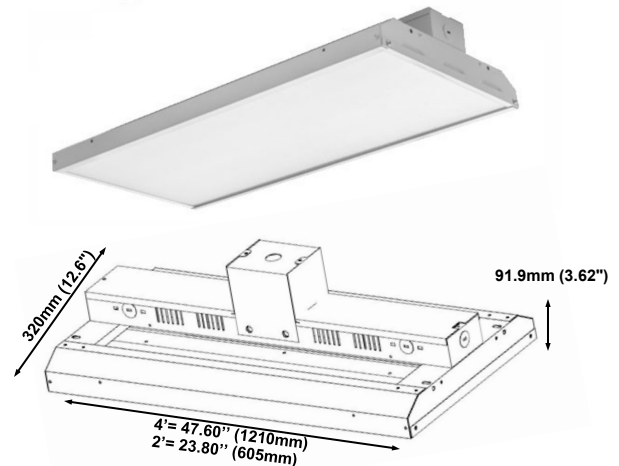


Project :	Date :
Cat. No :	Type :
Notes :	Volts :

The NT-LB72FT & 4FT Led linear low and high bay light create the same high intensity lighting without the high energy and maintenance cost of incandescent, light pressure sodium and metal halide bulb.



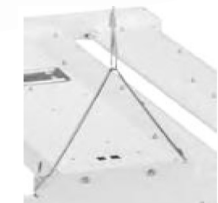
2 FT low bay and 4 FT high bay



<b>Housing material:</b>	Galvanized steel 22AWG
<b>Finish:</b>	White
<b>CCT</b>	4000K 5000K
<b>Voltage:</b>	120-277VAC *
<b>Wattage maximum:</b>	105 W 13000lm (low bay 2') 150W 19000lm (low bay 2') 210W 26000lm (high bay 4')
<b>Lamp life:</b>	>50,000 heures
<b>Mounting:</b>	standard "V" hooks included
<b>IP:</b>	Suitable indoor / damp location IP44
<b>Working Temperature</b>	-25 - +54°C



\* 347V available please contact the factory



V hooks included



Pendant hanger



Wire guards

### Ordering Matrix / Specification

Model	Type	Wattage	Voltage	CCT	Mounting accessories	Accessories
NT-LB7			120V  *option 347V contact factory			
	2FT	105W		41K (4100K) 50K (5000K)	VH: V hooker included PH: pendant hanger	NT-HDWG: heavy duty wire guard
	2FT	150W				
	4FT	210W				

#### Natech Industrie

3154 boulevard Industriel, Laval, QC, H7L 4P7 T: (450) 629-1169, F: (450) 629-1168, [www.natechlighting.com](http://www.natechlighting.com), [info@natechlighting.com](mailto:info@natechlighting.com)

This specification is valid as of 2016-01 and is subject to change without notice. Please confirm with the manufacturer before placing an order.  
Copyright 2014 Natech Industrie. All rights reserved.