

Projet :	Date :
Cat No. :	Type :
Notes :	Volts :

Applications:

The NTTLH-60W LED light is powered by one (1) COB "full spectrum" from Natech Hortix. It can be controlled by a 0-10V remote controller or DMX*.

Materials and construction ensure LED longevity while providing maximum lighting output with regard to lumen and candle power. Designed for high efficiency and long life suitable for indoor or outdoor. This projector does not need fan (noiseless) and have a automatic reset for high temperature protection.

* Standard order "No control"

Designed for performance and durability this product helps ensure photosynthesis of plants.

Housing:

Cast-aluminium IP67 housing and rugged construction provides state of the art thermal management and 100% housing heat dissipation since LED is mounted directly on the body allowing full functionality and lighting flux performance at all mounting angles and position. Stainless steel hardware.

Lenses and optical cells/CRI

Tempered glass-10 perimeter pressure points on gasket. Large variety of distributions can be also complemented with reflectors and/or optical lenses to create wide, medium, narrow or asymmetrical.

Finish:

Corrosion and salt spray resistant electrostatic applied black polyester powder coat finish as standard color. Consult factory for special RAL chart colors and paint match.

Voltage (50/60 Hz)

120-277 VAC,
- 0-100% dimmable DMX in option
- 20-100% dimmable 0-10V in option

Characteristics:

Nominal line voltage : 120-277V

Maximum power: 60 watts

µmol/watts at 18": 3,83 à 7,33

µmol/watts at 36": 2,20 à 3,66

PPF at 18 pces: 230-440 µmol

at 36 pces: 132-220 µmol

IP67 rated driver, outdoor/indoor, humid or wet conditions.

Beam angle : Wide, medium, narrow or asymmetrical.

Cooling: passive (noiseless)

- 50,000 hours tested L70
- Weight: 6 lbs (2.7kg).
- Operating temperatures:
Min -40°C (-40°F)
Max +65°C (+149°F)
- Wire with wall plug

Options

- **DMX** 0-100% Câble 12" XLR 3 or 5 pins IN
- **0-10V** 20-100% Cable 12"

Mounting:

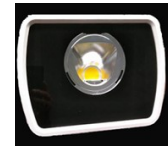
Standard 3-hole yoke mount

Certification:

Meets and exceeds industry ANSI/UL UL1598, 8750 CSA-22.2 no 250.0 & CSA 22.2 no 250.13 standards for safety and compliance.



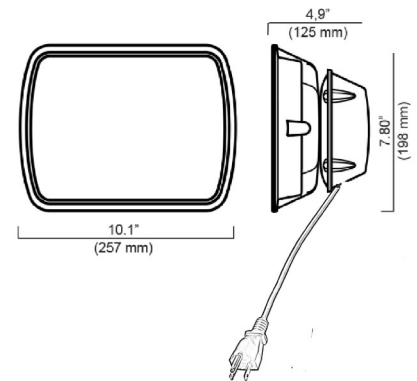
NTTL-60W-C-W1



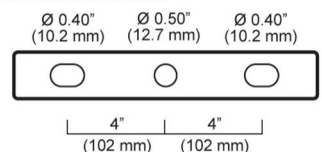
NTTL-60W-ASY



NTTL-60W-SXX



Yoke Mount Detail:



Ordering Matrix / Specification

Model	Wattage	Voltage	Color	Lens	Beam angle	Mounting	Option	Housing
NTTLH	60W	6 120-277VAC		CL clear				
					W1 Large 120 x 140 S25 Spot 25° S38 Spot 38° S55 Spot 55° AS Asymetric	Y Yoke	0-10V DMX	W White B Black RAL RAL

Rev. 30-11-2017

Natech Industrie

3154 boulevard Industriel, Laval, QC, H7L 4P7 T: (450) 629-1169, F: (450) 629-1168, www.natechlighting.com, info@natechlighting.com

This specification is valid as of 2017-11 and is subject to change without notice. Please confirm with the manufacturer before placing an order.