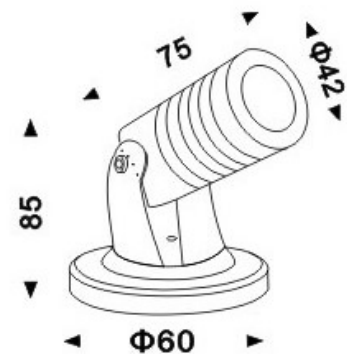


Project :	Date :
Cat. No. :	Type :
Notes :	Volts :

The NTCL-RD-3W is a versatile 3 watts LED projector. It can be used outdoor or indoor on projects. Also suitable in wet locations for landscaping and buildings accents. Different options are available exterior base's choices (small, large or canopy).



CRI:	>70
Light color:	5000K white 149lm 3000K warm white 120lm RGB controller needed
Fixture finish:	Surface in dark gray, electrostatic powder coated
Fixture material:	Aluminium
Diffuser:	Tempered glass T:3mm
Optic:	30° degré, assymetric on demand
Voltage:	24VDC cable 1 meter
Lamp life:	>50,000 hours CREE
Maximum wattage:	1 x 3 watts for monochrome color 3 x 1 watts for RGB
Fixation:	support in U, round base 65mm standard
Working temperature:	-30 - +55°C
Certification:	Conforms ANSI/UL standard UL-2108, Certified CAN/CSA standard 22.2-9.0



Power supply Class II recommended	
NLTPV20-24	1 to 5 units
NLTPV60-24	1 to 12 units
NTPSUCLG-100-24	1 to 22 units

* For dimming or control option, please consult the factory

Ordering Matrix / Specification

Model	Wattage	Color	Dimension	Option
NTCL-RD	3W	50 (5000K) 30 (3000K) RGB	4CM	1. Standard base

