

Project :	Date :
Cat no. :	Type :
Notes :	Volts :

LED 180°cylinder 4" with white diffuser mount with canopy for wall, vanity, ceiling application.

Available in 4 lengths and 2 color. No need driver or power supply can be dimmable with 120vac appropriate Triac/ELV dimmer

Housing:

The fixture is a high precision extruded anodized aluminium linear led source from 15 watts to 60 watts.

Lens:

Precision fit extruded white polycarbonate snap-in 180° diffusing lens.

Lens controls glare while hiding the LED's

Mounting:

Mounts directly on the electrical box

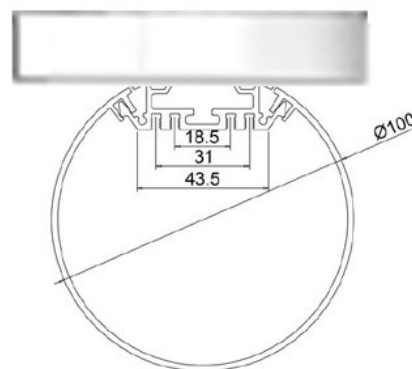
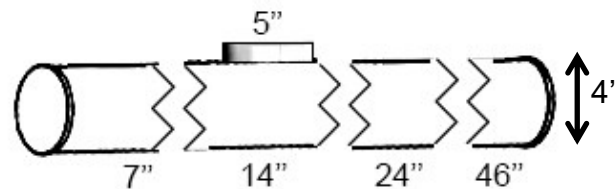
Electrical and Electronics:

High quality diodes tested (LM80) and certified life cycle for 60,000 hours (L80).

All certified electrical and electronic components have been re-tested over the years for compatibility within products and for specific applications. All products exceed current standards.

Homologation:

Conforms to ANSI/UL standard UL-1598
Certified to CAN/CSA standard 22.2-9.0



Ordering Matrix / Specification

Model	Length	Color	Lumens	Canopy	Volts
NTWL-T100					120 volts
	7 inches	WW 3000K NW 4000K	15W / 1575 lm	Round / Square Aluminium Ra / Sqa	
	14 inches	WW 3000K NW 4000K	30W / 3150 lm		
	24 inches	WW 3000K NW 4000K	20W / 2100 lm		
	46 inches	WW 3000K NW 4000K	60W / 6300 lm		



Natech Industrie

3154 boulevard Industriel, Laval, QC, H7L 4P7 T: (450) 629-1169, F: (450) 629-1168, www.natechlighting.com, info@natechlighting.com
This specification is valid as of 2022-05 and is subject to change without notice. Please confirm with the manufacturer before placing an order.
Copyright 2014 Natech Industrie. All rights reserved.