

Project :	Date :
Cat. No. :	Type :
Notes :	Volts :

FEATURES:

- Input Range From 120Vac ± 6%
- Operates with industry Standard Dimmers, Triac & Electronic Low Voltage Dimmers
- With Power Factor Correction function: PF >0.9
- Compact, lightweight in plastic case.
- Designed for indoor application.
- Tc Point measured, Max case temperature: 70°C
- Protections: Short-Circuit / Over Load / Over Heat and Auto-recovery Mode

- RoHS Compliant

Safety Approval



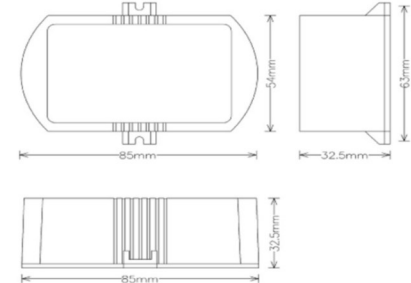
IP65



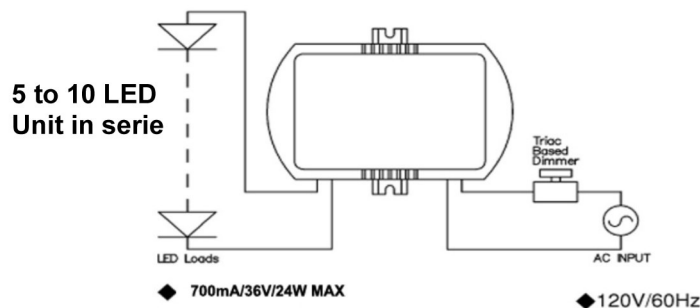
SPECIFICATION

Model No.		NTLD7036-24W-DIM
Primary	Voltage Range (VAC)	120 Vac ± 6%
	Frequency Range (Hz)	60 Hz
	AC Current	0.24A@115VAC
	THD(Total Harmonic Distortion)	Less than 20% at full load
	Max. Inrush Current	< 20A
	Leakage Current	<1mA / 120 Vac
Available Dimmers	<ul style="list-style-type: none"> ◆ Standard Light Switches ◆ Triac based Incandescent Dimmers (Standard phase - leading edge) ◆ Electronic Low Voltage Dimmers (Reverse Phase - trailing edge) 	
Secondary	Voltage Range (VDC)	16-36 Vdc
	Ripple & Noise (max.)	3Vp-p
	Rated Current Range (mA)	700mA ± 6%
	Rated Power (W)	24W Max
	Efficiency (Typ.)	82.5%
	Hold up time	Half cycle minimum at 120VAC and 80% of rated.
Environment	Operating Temp.	-20°C~+70°C full load .
	Operating Humidity	20% ~ 95% RH non-condensing.
	Storage Temp. / Humidity	-20 ~ +80°C / 10% ~ 95% RH
	Ambient Temp.	25°C at 120Vac
	Vibration Frequency	5 to 50 HZ
	MTBF	>100,000 Hours at full load and 25°C ambient conditions(MIL-HDBK-217F)
Safety Approval	Safety Standards	UL, cUL 1310 Class 2 FCC PART15 CLASS B

Mechanical Dimension: 85Lx54Wx32.5H mm



Wiring Diagram



1. AC-Dimm series, a new AC/DC LED driver that operate directly from AC line dimmer and provide an isolated, Class 2 low voltage constant current to properly drive the LED luminaires.
2. Lamps must be wired in series, and total value of Vf should be under rated DC Voltage.
3. Disconnect the mains supply before installing. Do not turn on/off from output port.
4. Parameter measured at full load 25°C ambient temperature.

***** MAKE SURE ALL PRESCRIBED QUANTITY OF LED ARE PROPERLY CONNECTED*****

******MAKE SURE TO MEET THE REQUIRED VOLTAGE LOAD (16 to 36Vdc voltage range)******

Natech Industrie

1995 Francis Hughes, Laval, QC, H7S 2G2 T: (450) 629-1169, F: (450) 629-1168, www.natechlighting.com, service@natechlighting.com

This specification is valid as of 2022-10 and is subject to change without notice. Please confirm with the manufacturer before placing an order. Copyright 2014 Natech Industrie. All rights reserved.