

Projet :	Date :
No Cat. :	Type :
Notes :	Volts :

Description:

The **NTALBH-50B** LED bar design provides a unique linear lighting solution combining style, performance and durability in a profile for up & down available in 4 different length.

Housing:

The **NTALBH-50B** is a high precision anodized black aluminum with 1 strip NTVHP64 in the bottom and 1 strip NTHP60 for the top.

Lens:

Precision fit extruded acrylic snap-in lens available in:

FR Frost

Mounting:

Suspension

CS Suspension cables (set of 2)

Application/Installation:

The **NTALBH-50B** LED bar can be installed for up and down light diffusion suspended with 2 suspension cables.

Voltage: 24 VDC

Electrical and Electronics:

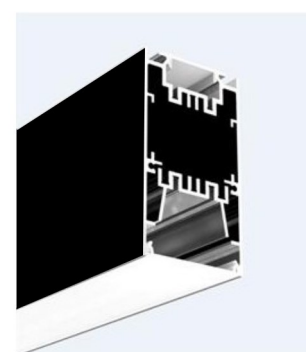
High quality diodes tested (LM80) and certified life cycle for 60,000 hours (L80).

All certified electrical and electronic components have been re-tested over the years for compatibility within products and for specific applications. All products exceed current standards.

Dimmable power supplies or 120V non dimmable are integrated in the luminaire.

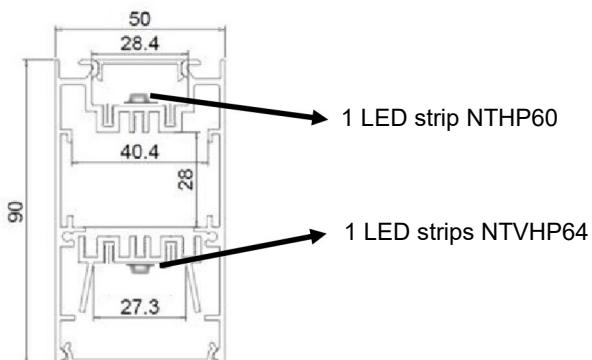
Homologation:

Conforms to ANSI/UL standard UL-1598



Ordering Matrix / Specification

Model	Lenght	Lens	Mounting	LED down	LED up	Voltage
NTALBH	50B	FR Frost	CS Suspension cable			
	.05M 1M 1.5M 2M			1 X VHP64-WH (5000K) 1 X VHP64-NW (4100K) 1 X VHP64-WW(3000K)	1 X HP60-WH (5000K) 1 X HP60-NW (4100K) 1 X HP60-WW (3000K)	4523 lumens/m 4507 lumens/m 4319 lumens/m
						0-10V dimmable 120V not dimmable



Natech Industrie

1995 Francis Hughes, Laval H7S 2G2 T: (450) 629-1169, F: (450) 629-1168, www.natechlighting.com, service@natechlighting.com

This specification is valid as of 2022-09 and is subject to change without notice. Please confirm with the manufacturer before placing an order. Copyright 2014 Natech Industrie. All rights reserved.