

Project :

Date :

Cat. No.:

Type :

Notes :

Volts :

Applications:

The **NTTL-32W** LED light engine is powered by a Bridgelux USA proven and reliable Vero™ series array. Materials and construction ensures LED longevity while providing maximum lighting output with regards, to lumens and candle power.

Designed for high efficiency and long life suitable for a myriad of innovative architectural and site lighting solutions.

- Architectural, building and facade,
- Area lighting, site, parking and landscape,
- Signage, billboards, fountains statues and other elements,
- Interior spaces, showroom, lobby and warehouse.

Housing:

Cast-aluminium IP65 housing and rugged construction provides state of the art thermal management and 100% housing heat dissipation since LED is mounted directly on the body allowing full functionality and lighting flux performance at all mounting angles and position. Stainless steel hardware.

Lenses and optical cells/ CRI

Optical assembly is hermetically sealed providing ingress protection IP65. Gasketed tempered glass.

CL clear

FR frost

Standard CRI 80 (Availability CRI 70 and 90 varies depending on selected °K degree temp consult factory)

Finish:

UV rays and corrosion resistant electrostatic applied grey polyester powder coat finish as standard color.

CCT

Color °K	Min. Pulsed Lumen	Typ. Effi Lumens/Watt
1750K	2610	86
2500K	4218	139
2700K	4515	148
3000K	4720	155
3500K	4845	159
4000K	4892	161
5000K	5040	166
5700K	5127	168
6500K	5221	171

Voltage (50/60 Hz)

- 1 12VDC
- 2 24VDC
- 3 90-264 VAC, 0-10 volt dim
- 6 120-277 VAC, no dim
- 7 120 VAC, triac dim.

Characteristics:

- Nominal line voltage: 120-277V 50/60Hz
- IP67 rated driver
- PF Power factor >0.9,
- 50,000 hours tested L70,
- Weight: 6 lbs (2.7kg)
- Operating temperatures:
Min -30°C (-22°F)
Max +55°C (+131°F)
- Comes standard with 1m (39 inches) SJOOW 18/3 cable.

Options (consult factory):

- Triac or 0-10V dimming available
- Dali or DMX controls,
- Choices of wiring and connecting devices,
- "Marine grade" finish and special color available as an option.

Mounting:

Available with different mounting options: standard 3-hole yoke mount, and slip-fit mount. Other options are available. The yoke mounting bracket has an indexed lockable mechanism.

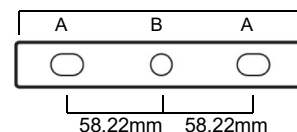
Certification :

Meets and exceeds industry ANSI/UL UL-1598, 8750, CAN/CSA, CSA-22.2 no 250.0 & CSA-22.2 no 250.13 standards for safety and compliance.



NTTL-32W

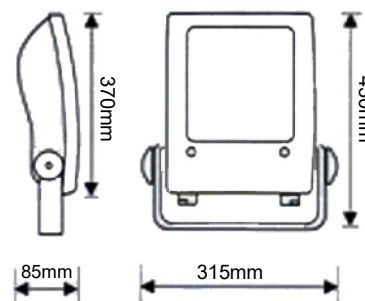
Yoke mount detail



A - Ø15.7mm fixation holes
B - Ø13mm central hole



TILT AND LOCK ADJUSTMENT



Ordering Matrix / Specification

Model	Wattage	Voltage	Color	Lens	Beam	Mounting	Housing color
NTTL	32W	1 12 VDC	W27 (2700K) W30 (3000K) W35 (3500K) W40 (4000K) W50 (5000K)	CL Clear FR Frost	W1 Large 120x140 S25 Spot 25° S38 Spot 38° S55 Medium Spot 55° AS Asymétrique	Y Yoke	G Gray RAL RAL
		2 24 VDC					
		3 90-264 VAC					
		4 347-480 VAC					
		6 120-277 VAC					
		7 0-120 VAC					



5 YEARS limited manufacturer warranty under normal conditions of use.

The Bridgelux logo and Vero name are registered trademarks of Bridgelux Inc. And are used under trademark license agreement.