

Project :

Date :

Cat. No.:

Type :

Notes :

Volts :

### Applications:

The NTTL-120W/160W LED light engine is powered by two (2) Bridgelux USA proven and reliable Vero™ series array. Materials and construction ensures LED longevity while providing maximum lighting output with regards, to lumens and candle power.

Designed for high efficiency and long life suitable for a myriad of innovative architectural and site lighting solutions.

- Architectural, building and facade,
- Area lighting, site, parking and landscape,
- Signage, billboards, fountains statues and other elements,
- Interior spaces, showroom, lobby and warehouse.

### Housing:

Cast-aluminium IP65 housing and rugged construction provides state of the art thermal management and 100% housing heat dissipation since LED is mounted directly on the body allowing full functionality and lighting flux performance at all mounting angles and position. Stainless steel hardware.

### Lenses and optical cells/ CRI

Optical assembly is hermetically sealed providing ingress protection IP65. Gasketed tempered glass.

Standard CRI 80 (Availability CRI 70 and 90 varies depending on selected °K degree temp consult factory)

### Finish:

UV rays and corrosion resistant electrostatic applied grey polyester powder coat finish as standard color.

**Voltage** (50/60 Hz) 120W  
**4** 347-480 VAC, 0-10 volt dim,  
**6** 120-277 VAC, 0-10 volt dim.

**Voltage** (50/60 Hz) 160W  
**4** 347-480 VAC, 0-10 volt dim.  
**6** 120-277 VAC

### Characteristics:

- Nominal line voltage: 120-277V 50/60Hz
- IP67 rated driver
- PF Power factor >0.9,
- 50,000 hours tested L70,
- Weight: 22 lbs (10kg)
- Operating temperatures:  
 Min -30°C (-22°F)  
 Max +55°C (+131°F)
- Comes standard with 1m (39 inches) SJOOW 18/3 cable.

### Options (consult factory):

- Triac or 0-10V dimming available
- Dali or DMX controls,
- Choices of wiring and connecting devices,
- "Marine grade" finish and special color available as an option.

### Mounting:

Available with different mounting options: standard 3-hole yoke mount, and slip-fit mount. Other options are available. The yoke mounting bracket has an indexed lockable mechanism.

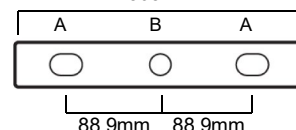
### Certification :

Meets and exceeds industry ANSI/UL UL-1598, 8750, CAN/CSA, CSA-22.2 no 250.0 & CSA-22.2 no 250.13 standards for safety and compliance.



NTTL-120W/NTTL-160W

Yoke mount detail  
365mm

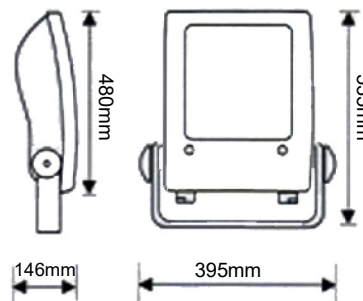


A - Ø17mm fixation holes  
 B - Ø13mm central hole

CCT	NTTL-120W		NTTL-160W	
	Color °K	Min. Pulsed Lumens	Typ. Effi. Lumens/watt	Min. Pulsed Lumens
2700K	17582	146	23480	146
3000K	20768	173	25194	157
3500K	20768	173	25192	157
4000K	21004	175	25438	158
5000K	21594	179	26210	163
5700K	21948	182	26660	166
6500K	22420	186	27150	169



TILT AND LOCK ADJUSTMENT



## Ordering Matrix / Specification

Model	Wattage	Voltage	Color	Lens	Beam	Mounting	Housing color
NTTL	120W	4 347-480 VAC	W27 (2700K) W30 (3000K) W35 (3500K) W40 (4000K) W50 (5000K)	CL Clear FR Frost	S25 Spot 25°	Y Yoke	G Gray
	160W	6 120-277 VAC			S46 Medium spot 46°		RAL RAL



5 YEARS limited manufacturer warranty under normal conditions of use.

The Bridgelux logo and Vero name are registered trademarks of Bridgelux Inc. And are used under trademark license agreement.

### Natech Industrie

1995 Francis Hughes, Laval, Qc H7S 2G2 T: (450) 629-1169, F: (450) 629-1168, www.natechlighting.com, service@natechlighting.com

This specification is valid as of 2022-09 and is subject to change without notice. Please confirm with the manufacturer before placing an order. Copyright 2014 Natech Industrie. All rights reserved.