

Project :	Date :
Cat. No.:	Type :
Notes :	Volts :

Applications:

The **NTTL-240W** LED light engine is powered by three (3) Bridgelux USA proven and reliable Vero™ series array. Each LED array has its own driver (3 per unit) for safety and reliability. Materials and construction ensures LED longevity while providing maximum lighting output with regards, to lumens and candle power. Designed for high efficiency and long life suitable for a myriad of innovative architectural and site lighting solutions.

- Architectural, building and facade,
- Area lighting, site, parking and landscape,
- Signage, billboards, fountains statues and other elements,
- Interior spaces, showroom, lobby and warehouse.

Housing:

Cast-aluminium IP65 housing and rugged construction provides state of the art thermal management and 100% housing heat dissipation since LED is mounted directly on the body allowing full functionality and lighting flux performance at all mounting angles and position. Stainless steel hardware.

Lenses and optical cells/ CRI

Tempered glass-14 perimeter pressure points on gasket. Large variety of distributions can be also complemented with reflectors and/or optical lenses to create very narrow beams. Optical assembly is hermetically sealed providing ingress protection IP65.

Standard CRI 80 (Availability CRI 70 and 90 varies depending on selected °K degree temp consult factory)

Finish:

Corrosion and salt spray resistant electrostatic applied black polyester powder coat finish as standard color.

Voltage (50/60 Hz)
4 347-480 VAC, 0-10 volt dim,
6 120-277 VAC,

Characteristics:

- Nominal line voltage: 120-277V 50/60Hz
- IP67 rated driver , outdoor/indoor, humid or wet conditions.
- PF Power factor >0.9,
- 50,000 hours tested L70,
- Weight: 42 lbs (19kg)
- Operating temperatures:
 Min -30°C (-22°F)
 Max +55°C (+131°F)
- Comes standard with 1m (39 inches) SJOOW 18/3 cable.

Options (consult factory):

- Triac or 0-10V dimming available
- Dali or DMX controls,
- Choices of wiring and connecting devices,

Mounting:

Available with different mounting options: standard 3-hole yoke mount, and slip-fit mount. Other options are available.

Certification :

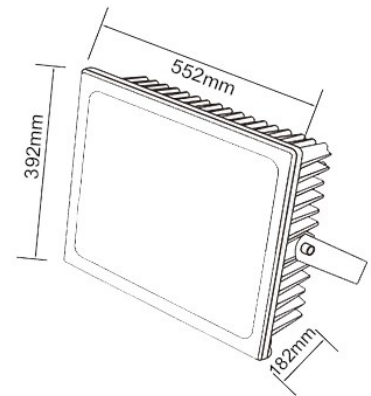
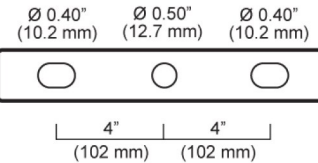
Meets and exceeds industry ANSI/UL UL-1598, 8750, CAN/CSA, CSA-22.2 no 250.0 & CSA-22.2 no 250.13 standards for safety and compliance.



NTTL-240W



Yoke Mount Detail:



CCT	NTTL-240W	
	Color°K	Min. Pulsed Lumens
2700K	35220	146
3000K	37791	157
3500K	37788	157
4000K	38157	158
5000K	39315	163
5700K	39990	166
6500K	40725	169

Ordering Matrix / Specification

Model	Wattage	Voltage	Color	Lens	Beam	Mounting	Housing color
NTTL	240W	4 347-480 VAC	W27 (2700K)	C Clear	F Wide 120 x 140	Y Yoke	B Black
		6 120-277 VAC	W30 (3000K)	FR Frost	L60 High power lens	E 0-10VDC	
		W35 (3500K)	S29 Spot 29°		D DMX		
		W40 (4000K)	S46 Medium spot 46°		A non dimmable		
		W50 (5000K)	F Wide 120 x 140				



5 YEARS limited manufacturer warranty under normal conditions of use.

The Bridgelux logo and Vero name are registered trademarks of Bridgelux Inc. And are used under trademark license agreement.

Natech Industrie

1995 Francis Hughes, Laval, Qc, H7S 2G2: (450) 629-1169, F: (450) 629-1168, www.natechlighting.com, service@natechlighting.com

This specification is valid as of 2022-09 and is subject to change without notice. Please confirm with the manufacturer before placing an order. Copyright 2014 Natech Industrie. All rights reserved.